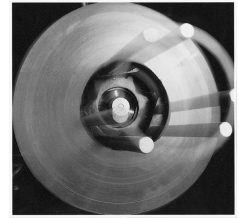


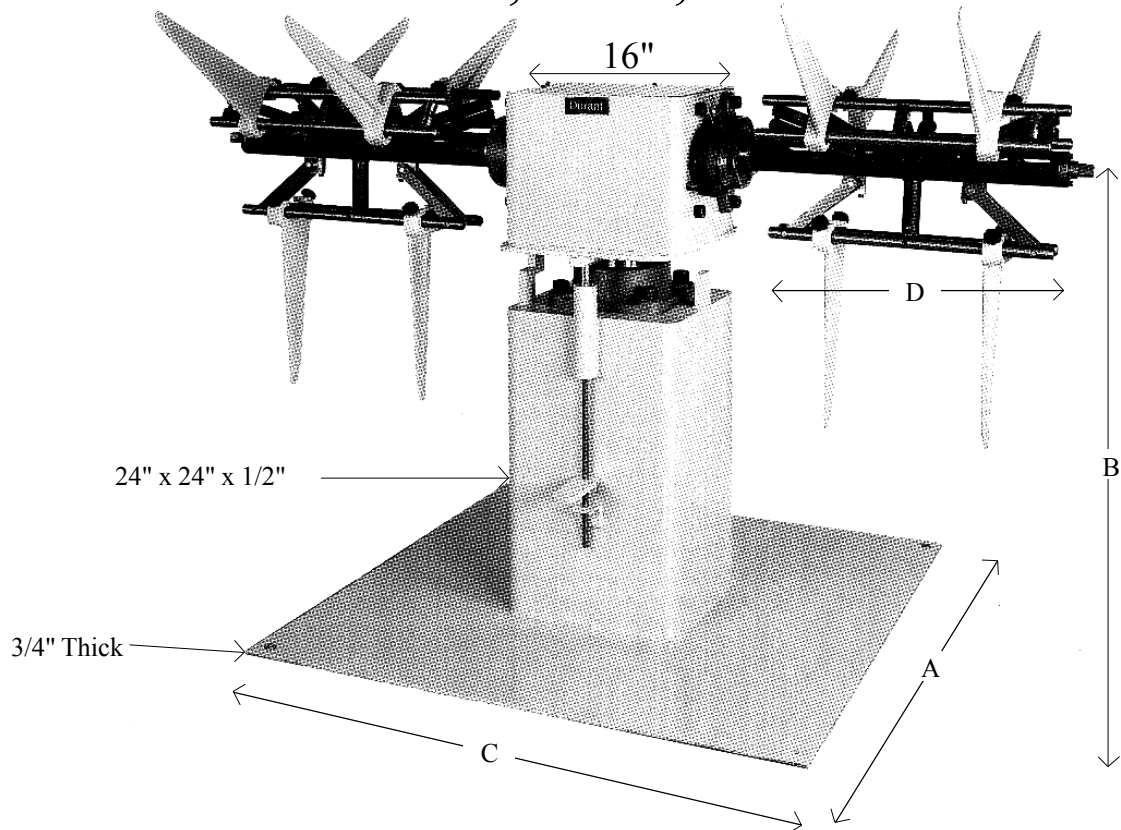
# Durant Tool Company

Manufacturers of  
Coil Handling Equipment



## Double Stock Reels

Models: MDD 3000, 4000, 6000



Model	A	B	C	D	Swing Radius	Shipping Weight *
MDD-3012	36"	36"	36"	18"	36"	1350 Lbs.
MDD-3016	36"	36"	36"	24"	40"	1450 Lbs.
MDD-3024	36"	36"	36"	30"	48"	1550 Lbs.
MDD-4016	36"	36"	36"	24"	40"	1500 Lbs.
MDD-4024	36"	36"	36"	32"	48"	1600 Lbs.
MDD-4032	36"	36"	36"	40"	56"	1700 Lbs.
MDD-4036	36"	36"	36"	44"	60"	1775 Lbs.
MDD-6024	36"	36"	36"	32"	48"	1650 Lbs.
MDD-6032	36"	36"	36"	40"	56"	1800 Lbs.
MDD-6036	36"	36"	36"	46"	60"	1875 Lbs.

\* ADD 325 LBS. FOR MOTORIZED MODELS

200 Circuit Drive • North Kingstown, Rhode Island 02852 • USA  
 International Phone: 401-781-7800 • Toll Free: 800-338-7268 • Fax: 401-738-2586  
 • Internet Address: [www.durantco.com](http://www.durantco.com) •