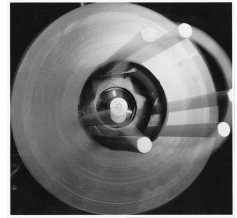


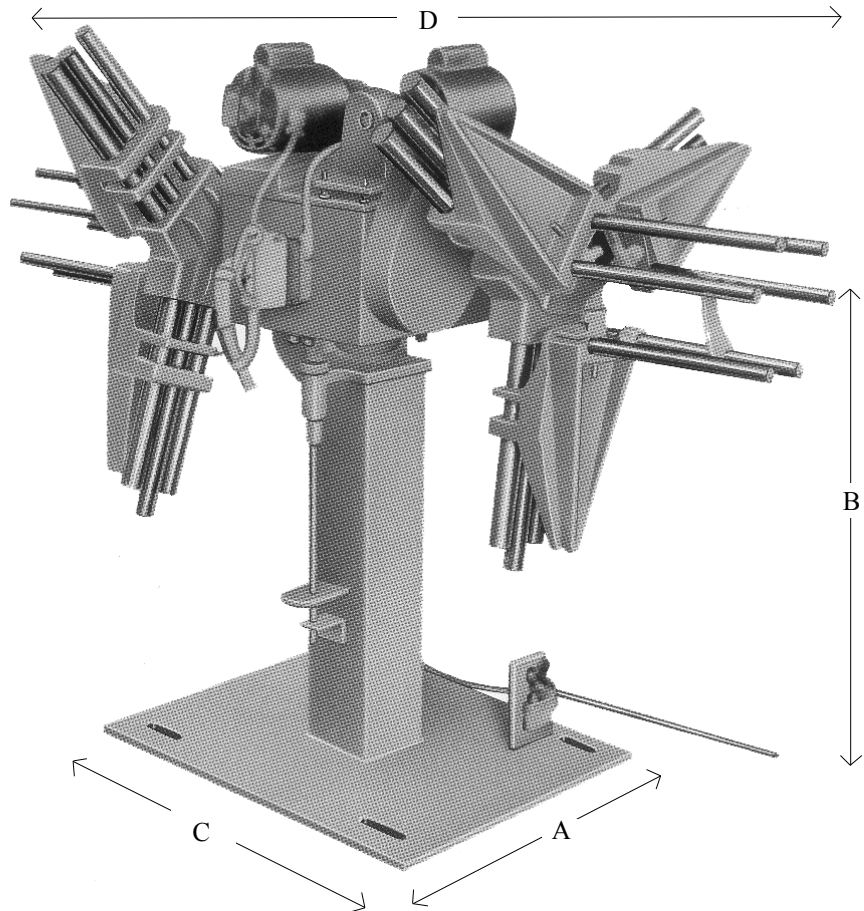
# Durant Tool Company

Manufacturers of  
Coil Handling Equipment



## Double Stock Reels

Models: DD100, DD250, DDSC, DDM



Model	A	B	C	D	Shipping Weight *
DD100 / DD250	30"	36"	30"	38"	805 Lbs.
DDSC-0 / DDM-0	30"	36"	30"	42"	805 Lbs.
DDSC-1 / DDM-1	30"	36"	30"	46"	805 Lbs.
DDSC-2 / DDM-2	30"	36"	30"	60"	1120 Lbs.

Swing Radius 10" Wide Material & 44" O.D. = 35 1/2"

\* Add 250 Lbs. for  
Motorized Models