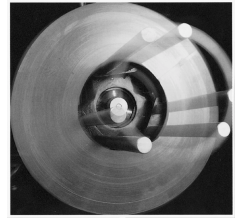


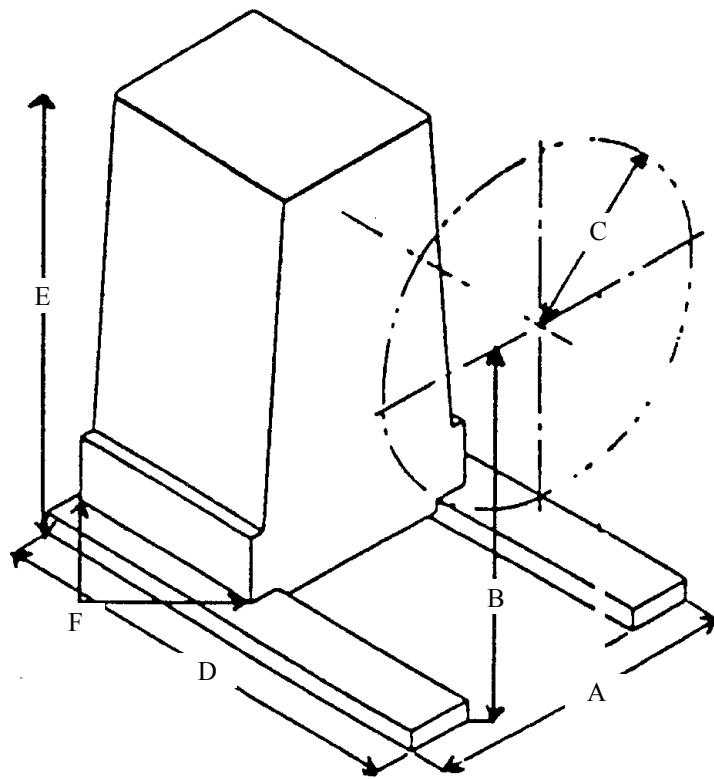
Durant Tool Company

Manufacturers of
Coil Handling Equipment



Adjustable Core Stock Reels

Models: HD 600, 1000, 1500



Models	Material Width	A	B	C	D	E	F	Shipping Weight *
HD 600, 1000, 1500	24"	35"	38"	30"	72"	54"	62"	3380 Lbs.
	30"	35"	38"	30"	72"	54"	62"	3480 Lbs.
	36"	35"	38"	30"	78"	54"	62"	3580 Lbs.
	48"	35"	38"	30"	100"	54"	62"	3680 Lbs.
	60"	35"	38"	30"	112"	54"	62"	3780 Lbs.

* Add 525 Lbs. for Motorized Models

200 Circuit Drive • North Kingstown, Rhode Island 02852 • USA
 International Phone: 401-781-7800 • Toll Free: 800-338-7268 • Fax: 401-738-2586
 • Internet Address: www.durantco.com •