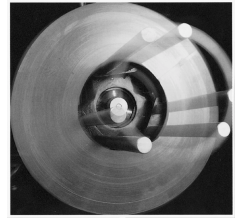


# Durant Tool Company

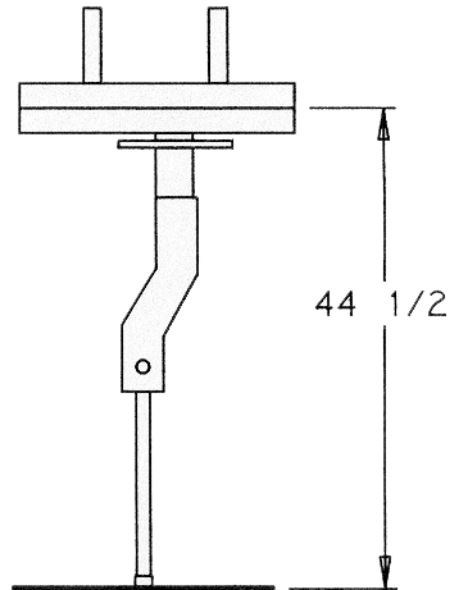
Manufacturers of  
Coil Handling Equipment



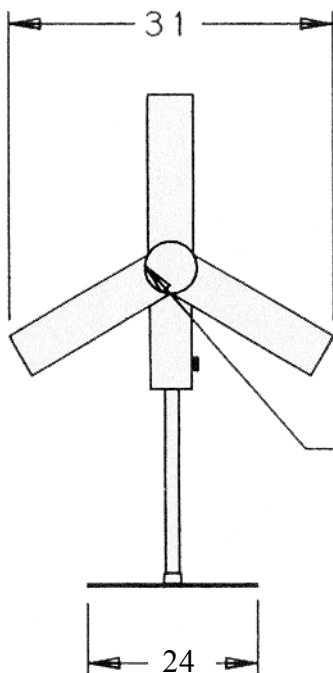
## Stock Reel

Model: 10X

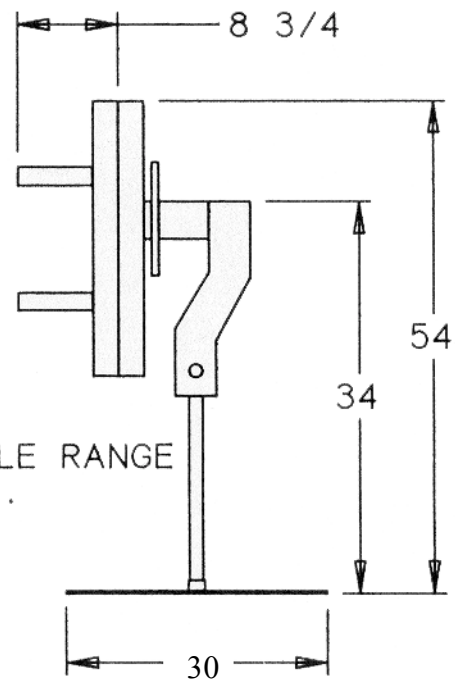
Shipping Weight: 350 LBS



HORIZONTAL



I.D. ADJUSTABLE RANGE  
5" TO 23" DIA.



VERTICAL