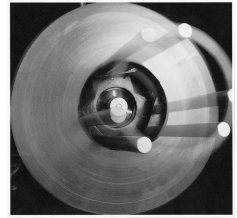


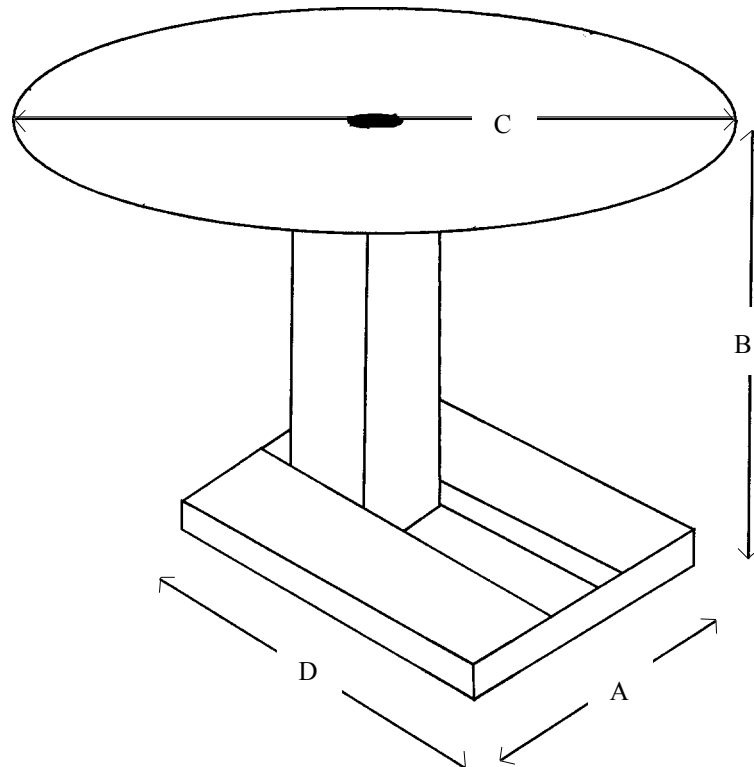
# Durant Tool Company

Manufacturers of  
Coil Handling Equipment



## Horizontal Stock Reels

Models: D-UH, VS D-MH, DD-H, VS DMD-H



Model	A	B	C	D	Shipping Weight
D 100-UH	19"	43"	44"	30"	350 Lbs.
D 300-UH	19"	43"	44"	30"	387 Lbs.
DSC-2H	19"	43"	48"	30"	500 Lbs.
VS-D100-MH	19"	43"	44"	30"	425 Lbs.
VS-D300-MH	19"	43"	44"	30"	462 Lbs.
VS-DMSC-2MH	19"	43"	48"	30"	575 Lbs.
DD-1H-250	19"	43"	36"	30"	235 Lbs.
DD-2H-500	19"	43"	36"	30"	285 Lbs.
VS-DMD-1H	19"	43"	36"	30"	310 Lbs.
VS-DMD-2H	19"	43"	36"	30"	360 Lbs.

200 Circuit Drive • North Kingstown, Rhode Island 02852 • USA  
International Phone: 401-781-7800 • Toll Free: 800-338-7268 • Fax: 401-738-2586  
• Internet Address: [www.durantco.com](http://www.durantco.com) •