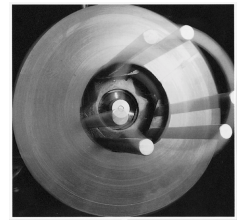


Durant Tool Company

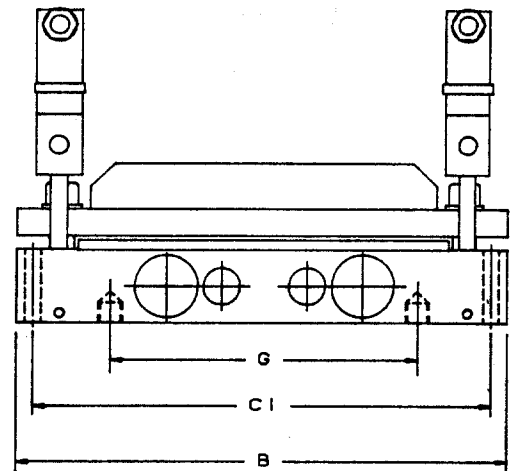
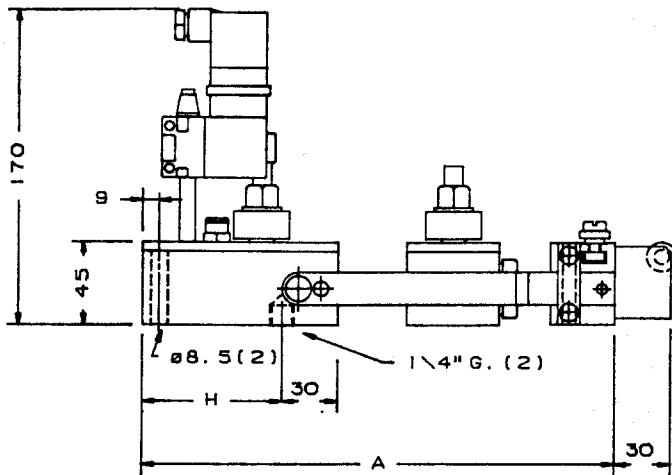
Manufacturers of
Coil Handling Equipment



Airfeeds

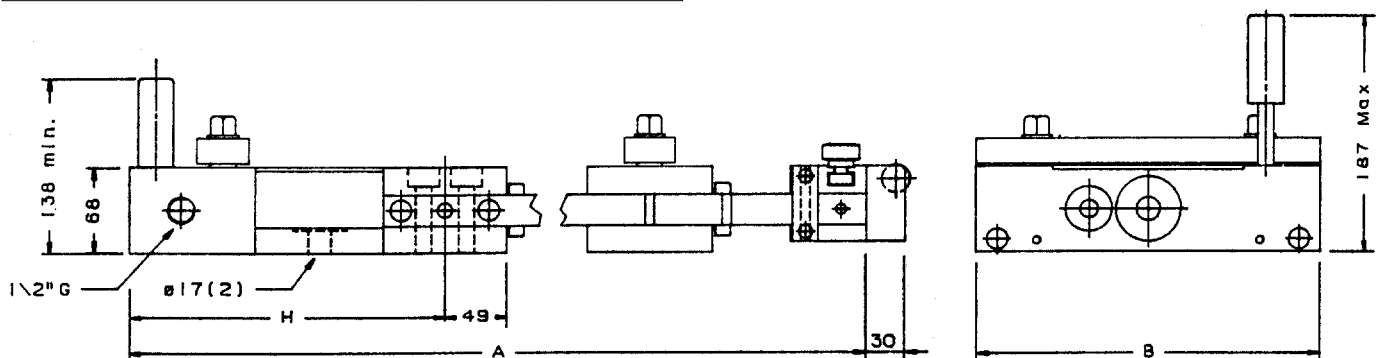
SX, ZX Series

P, S, Z Series



Model	A	B	C ₁	E	E ₁	H	G	Shipping Weight (Kg.)
SX 50	255	265	247	-	205	75	166	12.7
SX 100	355	265	247	115	205	125	166	14.9
SX 150	455	265	247	165	205	175	166	16.8
SX 200	555	265	247	215	205	225	166	18.9
SX 250	655	265	247	265	205	275	166	20.9
ZX 50	255	365	347	-	305	75	146	18.2
ZX 100	355	365	347	115	305	125	146	21.2
ZX 150	455	365	347	165	305	175	146	24.1
ZX 200	555	365	347	215	305	225	146	27.0
ZX 250	655	365	347	265	305	275	146	29.8

Model	A	B	C	C ₁	H	H ₁	L	Shipping Weight (Kg.)
P1	478	270	-	-	147	185	92	32
P2	676	270	147	210	245	185	92	39
P3	874	270	196	210	343	185	92	46
S1	478	320	-	-	147	235	117	38
S2	676	320	147	260	245	235	117	45
S3	874	320	196	260	343	235	117	54
Z1	478	420	-	-	147	335	167	48
Z2	676	420	147	360	245	335	167	58
Z3	874	420	196	360	343	335	167	69



200 Circuit Drive • North Kingstown, Rhode Island 02852 • USA
 International Phone: 401-781-7800 • Toll Free: 800-338-7268 • Fax: 401-738-2586
 • Internet Address: www.durantco.com •